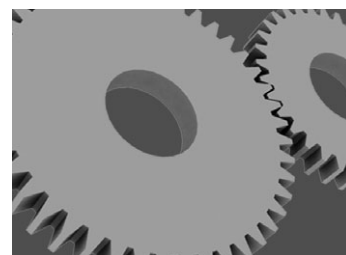
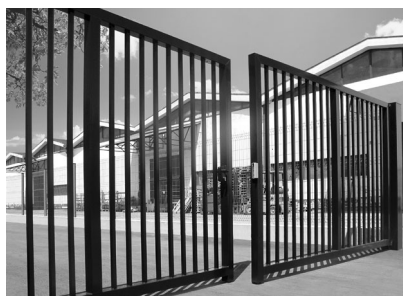




# Operating and Installation Instructions



## Industrial two-leaf fence gate

Operating and Maintenance Manual

Last Update - 20th October, 2003

**GB**

## 1. IMPORTANT INFORMATION

The gate can be installed only by a QUALIFIED person. Before starting installation please read the complete instructions. Please read these instructions carefully and follow the guidelines. You will find here essential information, which guarantees safe installation and use as well as proper maintenance of the fence gate. Please store these instructions with care.

## 2. PURPOSE OF USE

The gate is designed for fencing factories, manufacturing plants, public utility buildings, embassy premises, governmental buildings, State Office Buildings and other of similar character.

## 3. CONDITIONS OF USING THE GATE AND SAFETY

**NOTE:** During installation safety and health requirements must be observed regarding: assembling, metal-working, work carried out using motor-operated electrical tools, depending on applied assembling technology.

**ELECTRICAL INSTALLATION MUST BE PERFORMED ACCORDING TO THE PROVISIONS BINDING IN THE PARTICULAR COUNTRY. ALL TYPES OF ELECTRICAL WORK MUST BE CARRIED OUT ONLY BY A QUALIFIED ELECTRICIAN.**



No obstacles should be left in the way of leaf. Make sure that when opening the gate leaf, no one, especially children or things stay in its way.

**NOTE! Danger of accident.**



The gate can be opened and closed with a control unit, only if the gate is within the sight of the operator.

**NOTE! Danger of accident.**

Gates with clearance between the filling <20% should not be used if wind velocity exceeds 15m/s.

## 4. PREPARATORY WORKS

### 4.1. Foundations

Foundations must be "W" deeper than the frost penetration zone specified for the particular area. For Poland according to PN-81/B-03200. Width of foundations for gate pillars should be min. 800 [mm]. For embedding pillars in concrete B15 concrete should be used.

### 4.2. Fixing the central stop

In the case of stable base, the stop can be screwed down. For concrete sett base, a foundation should be made to which the central stop is fixed according to fig. 6. The foundation must be deeper than the frost penetration zone specified for the particular area. If there is no stable base, a foundation should be made to which the central stop is fixed. The foundation must be deeper than the frost penetration zone specified for the particular area.

### 4.3. Power cords

Backfill control wires YLY 2x1 mm<sup>2</sup> (for one pair of photocells) below driveway level and leave assembling outlet of approx. 1 m, or PVC pipe ensuring feature fishing. If you want to buy a control unit for the gate, run the power cords and control wires to the photocells as shown in fig. 0.

## 5. INSTALLATION

Correct functioning of the gate depends to a great extent on its proper installation. The manufacturer may, if optionally ordered by the Client, install the gate or recommends authorized installation performers. Should the user choose to install the gate by himself, he must ensure that the guidelines contained in this manual are observed, to avoid incorrect functioning of the gate, its premature wear and voiding guarantee claims. After installing the gate leaves tighten the locking nuts on the hinges. In the case of installation of the control unit follow the instructions of the equipment manufacturer.

### OPERATIONS CARRIED OUT AFTER INSTALLATION OF THE GATE

## 6. OPERATION

Do not put any objects in the door leaf way! When opening and closing the gate leaf make sure that there are no people, especially children or objects in its way. Prior to first opening the gate check it according to section 10 "Inspection and maintenance". The gate is mounted correctly if its leaf opens and closes smoothly and the gate can be operated with ease.

## 7. OPENING AND CLOSING

When closing MANUAL gate make sure the locking dead bolt is in open position. Closing the gate with the bolt in closed position may damage the gate.

## 8. TROUBLESHOOTING

If the gate leaf offers a resistance or other defects are found, follow the guidelines specified in sections "Inspection and maintenance" and "Cleaning and fine look". In case of any doubt please contact the installer or the authorized service center.

## 9. PAINTING (does not apply to painted gates)

After installation of the gate, touch up any paint coat losses with anticorrosive priming paint, where necessary. The galvanized gate can be painted by applying two coats of topcoat paint, preferably synthetic resins based paints, following the paint manufacturer's instructions.

## 10. INSPECTION AND MAINTENANCE

Inspection and maintenance activities should be carried out at least every six months, following the guidelines specified in this manual! Failure to do this may present danger of improper operation of the gate.

### 10.1. Fitting the elements

Check the condition of all fittings (done during installation of the gate), particularly fitting to fencing pillars, adjust if necessary.

### 10.2. Greasing

Periodically every 6 months grease gate hinges (with e.g. LT-43 grease), using a grease nipple put on a hinge, and bolts.

### 10.3. Lock cylinder element

Do not lubricate!

## 11. CLEANING AND FINE LOOK

Periodically (after winter season) clean the gate from dirt deposited inside.

### 11.1. External surface of the gate painted with powdered paints.

Protect the gate from contact with caustic agents such as: lye, acids, etc. Follow proper PRODUCT maintenance instructions. Powder-painted elements should be cleaned at least once a year, and for heavily contaminated environment, more frequently.

When cleaning adhere to the following rules:

- For washing use clean water with small addition of neutral or weak alkaline detergent using soft non-abrasive cloth or rag.
- During cleaning painted surfaces must be cold - max temperature 25°C.
- Cleaning agents may only be used in cold condition - max temperature 25°C.
- Do not use any acidic or heavily alkaline cleaning and abrasive agents, which can attack steel sub-structure.
- Do not use any cleaning and abrasive agents causing loss of paint and surface scratching.
- Do not use any organic solvents, containing esters, ketones, alcohols, flavors, glycol ether or chlorinated hydrocarbon substances, etc.
- Do not use any cleaners of unknown chemical composition.
- Removing greasy, oily or sooty substances can be done using aroma-free gasoline hydrocarbons.
- Residues of glues, silicon caoutchouc or self-adhesive tapes, etc. can be removed using aroma-free gasoline hydrocarbons

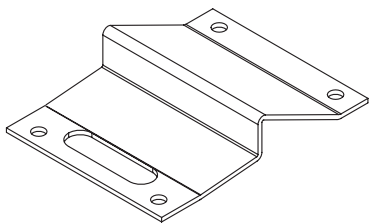
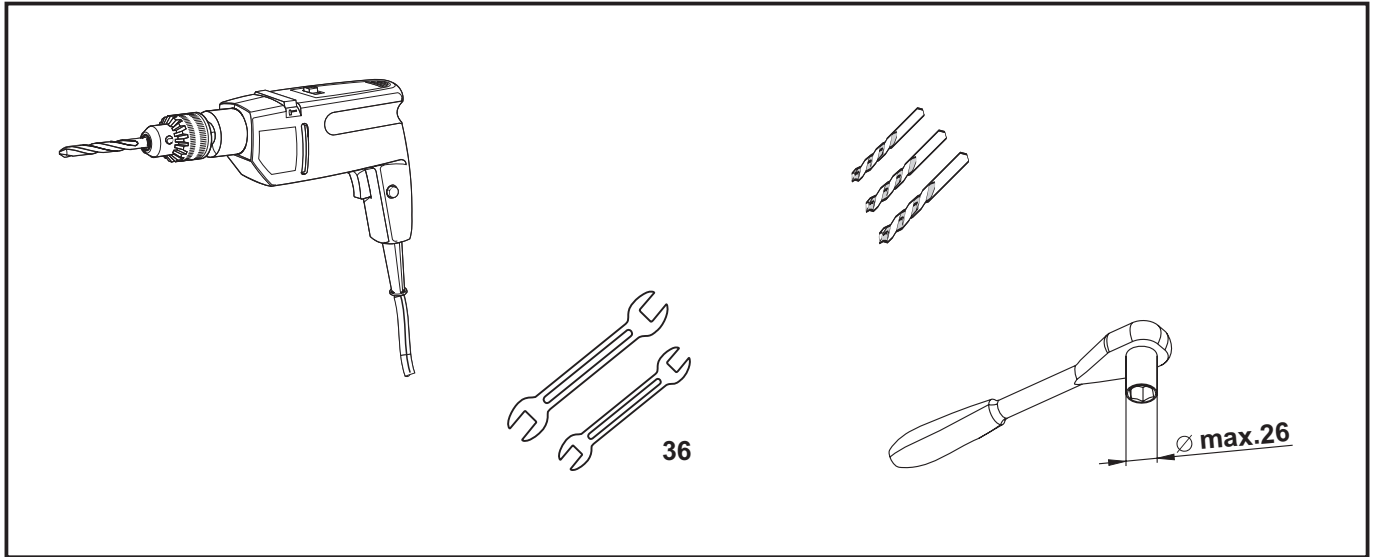
Maximum interaction time of the cleaning agent may not exceed 1 hour. If necessary, cleaning can be repeated after minimum 24 hours. Glues, priming grounds, putty compounds, putties, masking and gluing tapes may contain aggressive substances, therefore before using them please check their influence on paint coatings and base.

### 11.2. External surface of galvanized gates.

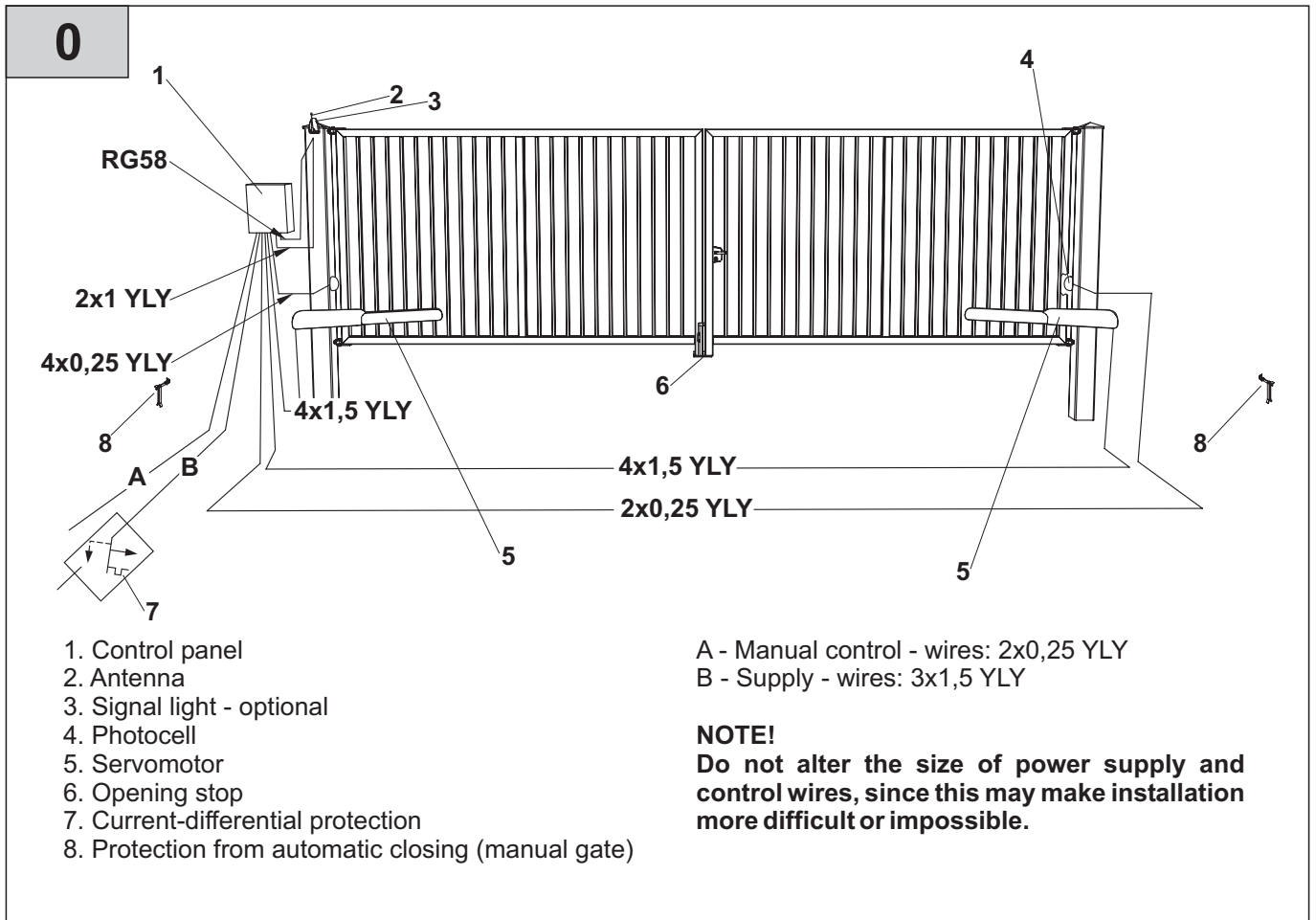
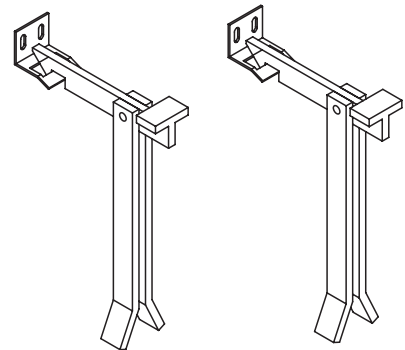
Follow the rules specified for powder-painted gates.

Design and specification are subject to change (resulting from technological progress) without notice, which do not alter the functionality of the product.

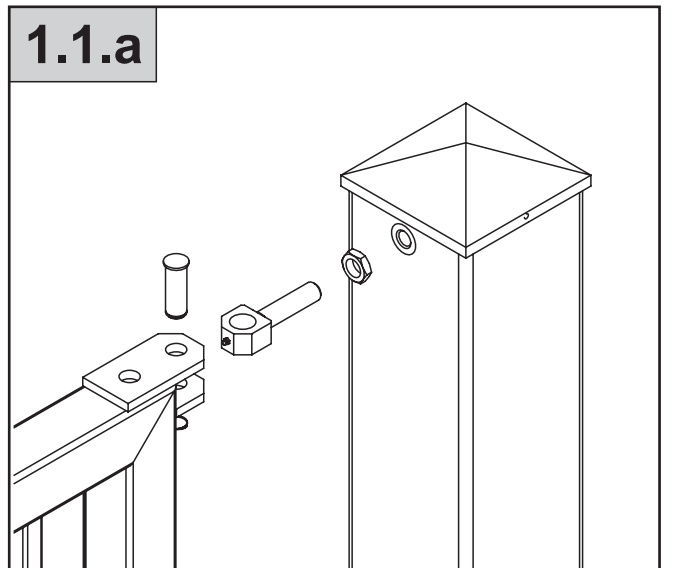
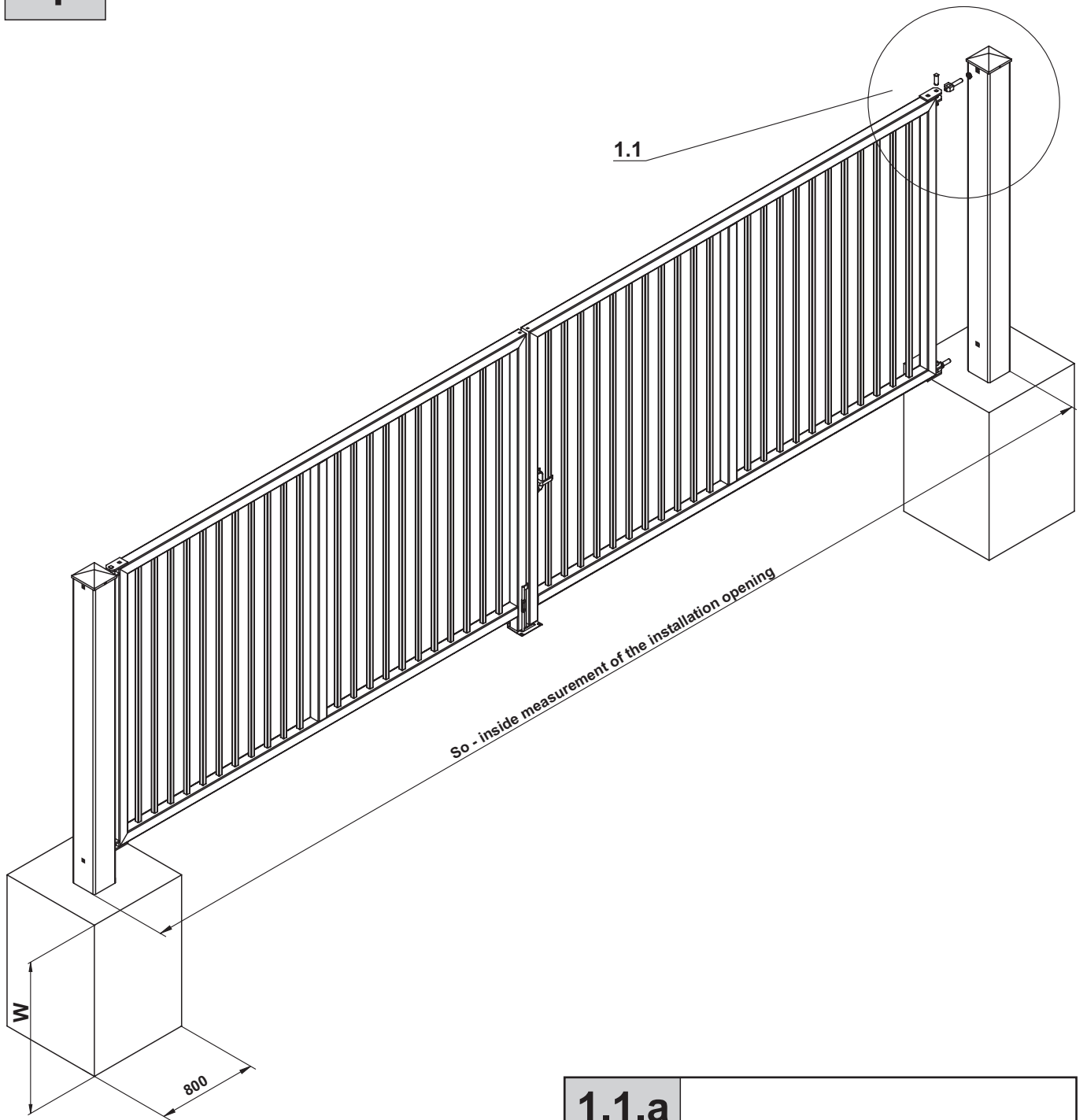
This documentation belongs to FPHU WIŚNIEWSKI. Copying, duplicating and using the document in whole or any part of it without owner's written permission is allowed.

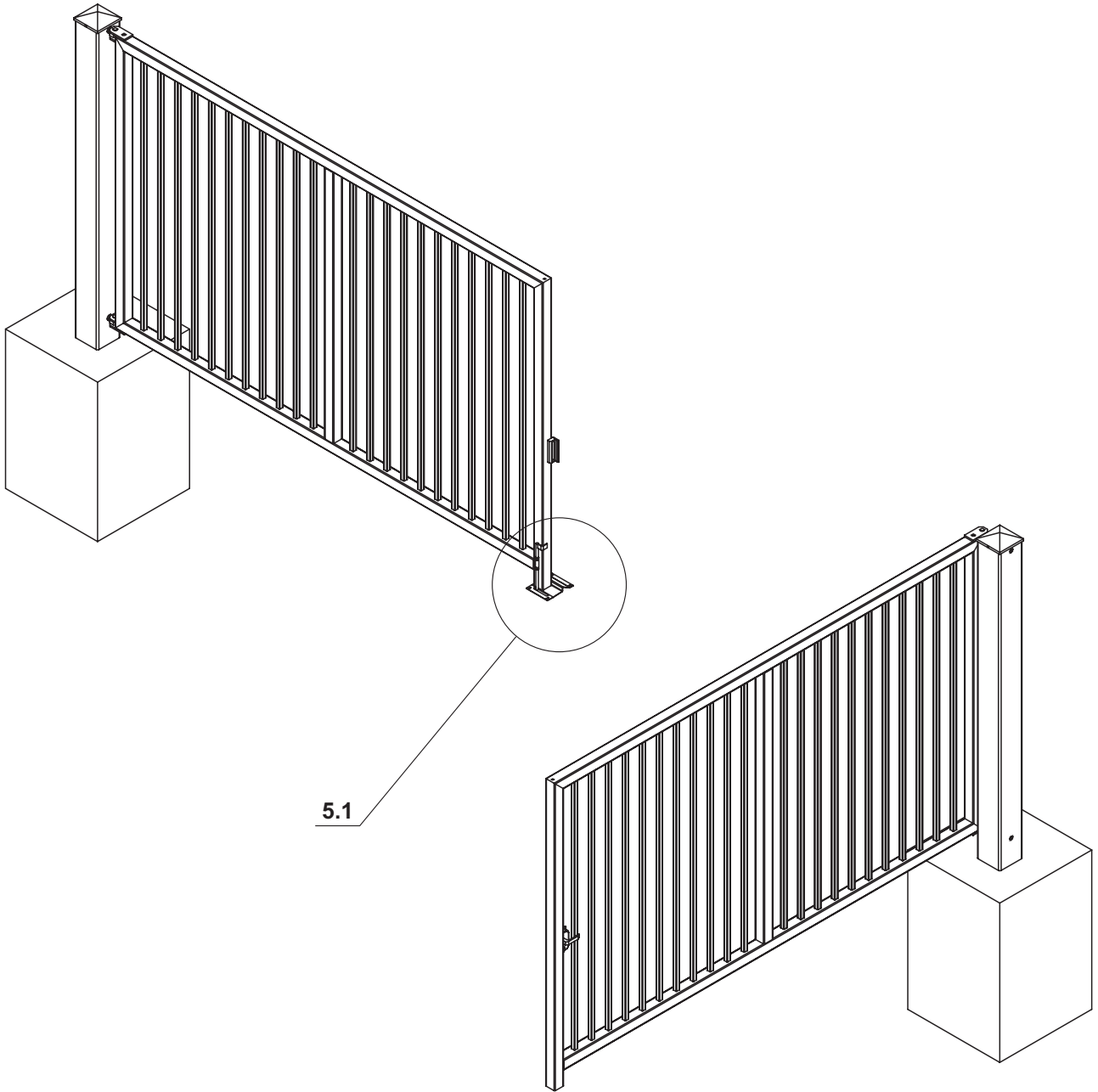


51166

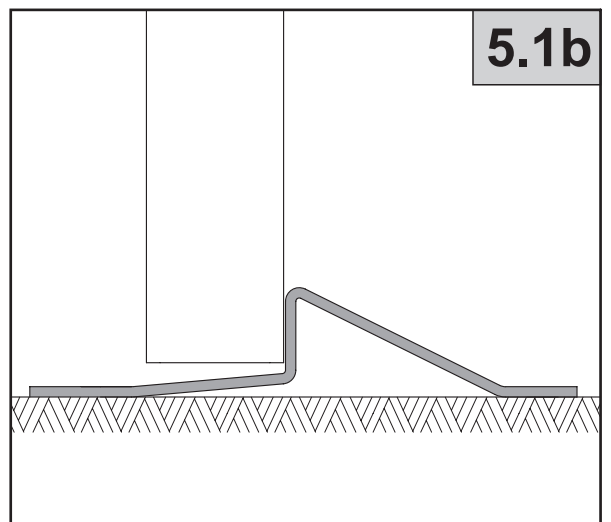
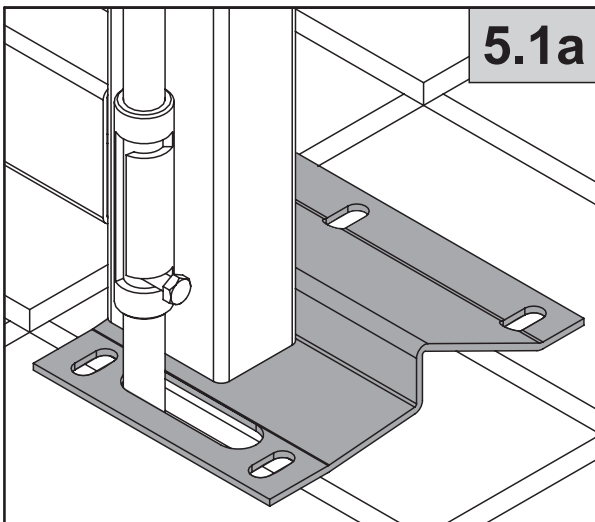


1

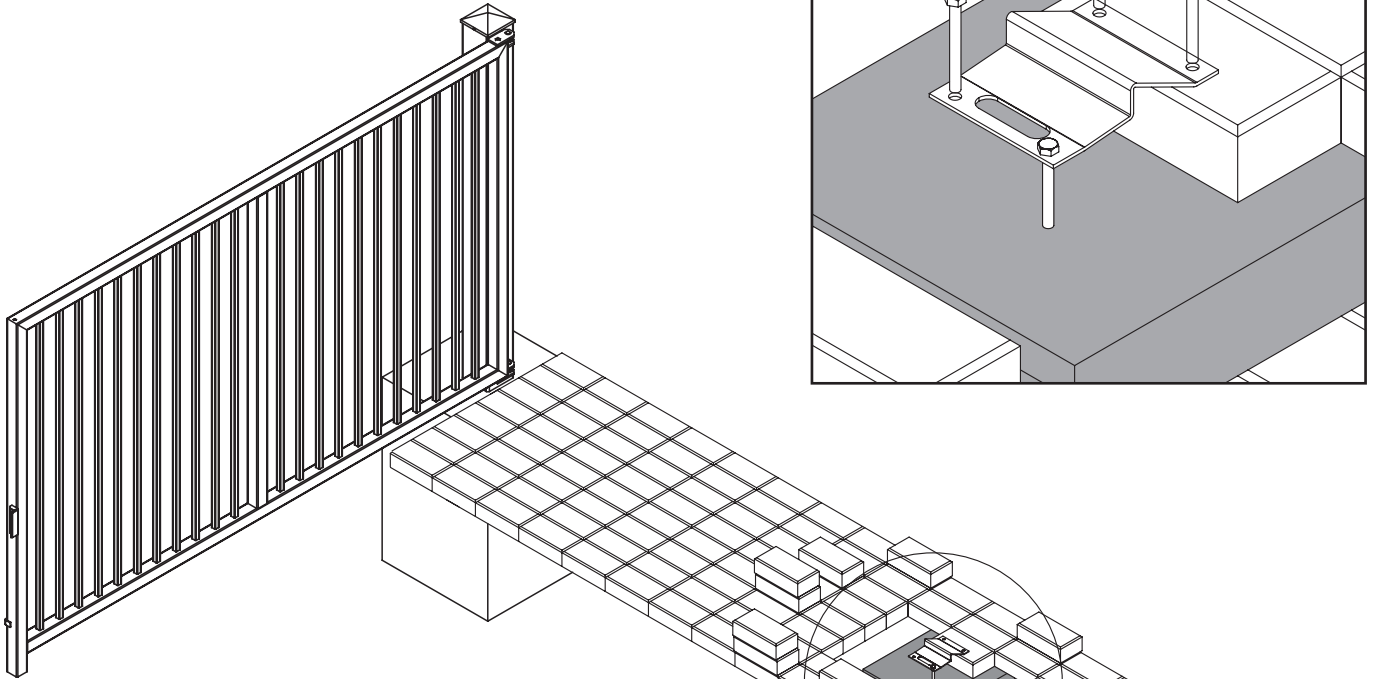




5.1

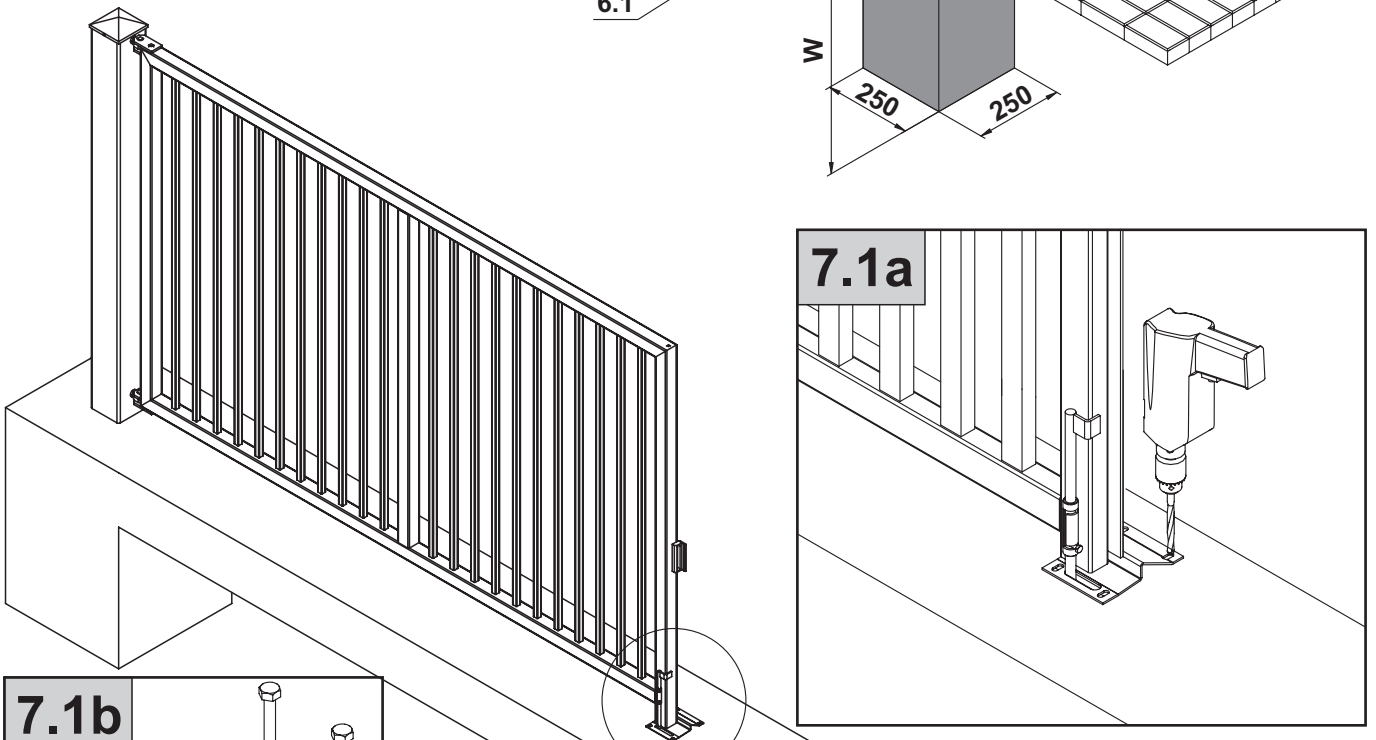


6



6.1a

7



6.1

W

250

250

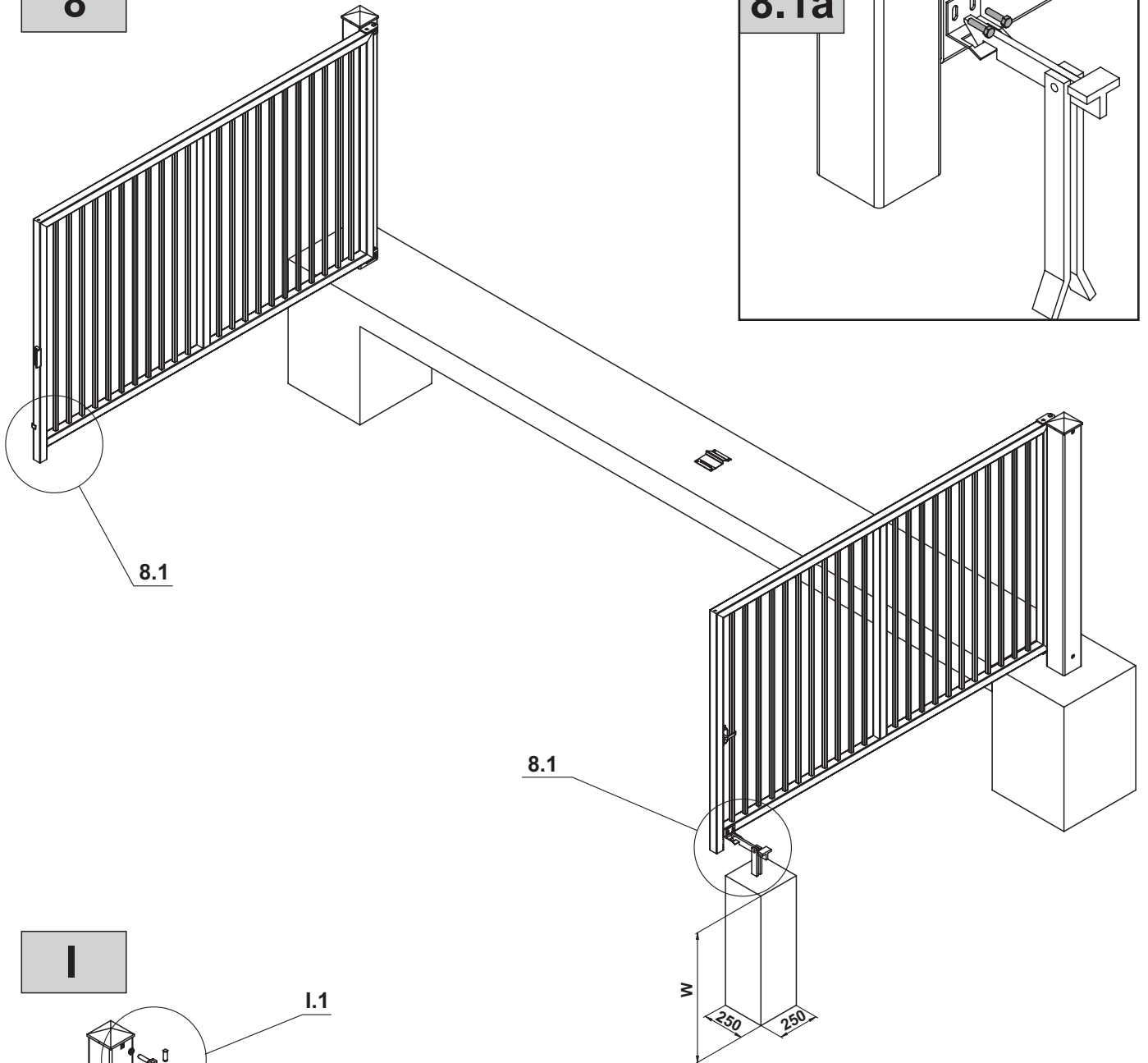
7.1a

7.1b

7.1

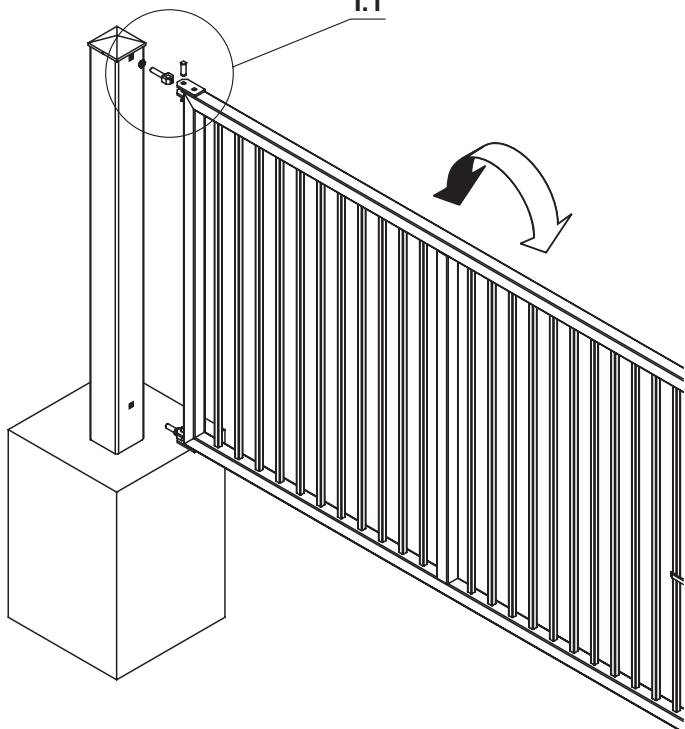
8

8.1a

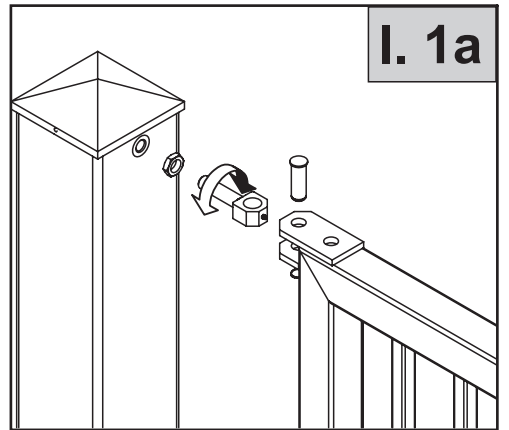


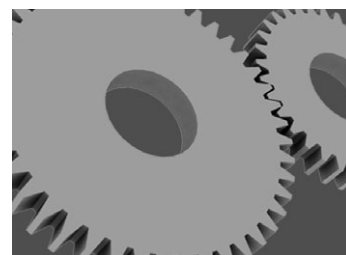
I

I.1



I. 1a





Installer: \_\_\_\_\_

**WIŚNIEWSKI Ltd.**  
33-311 Wielogłowy 153, Poland  
Tel. (+48 18) 44 77 270 ■ Fax (+48 18) 44 77 277  
[www.wisniowski.pl](http://www.wisniowski.pl)